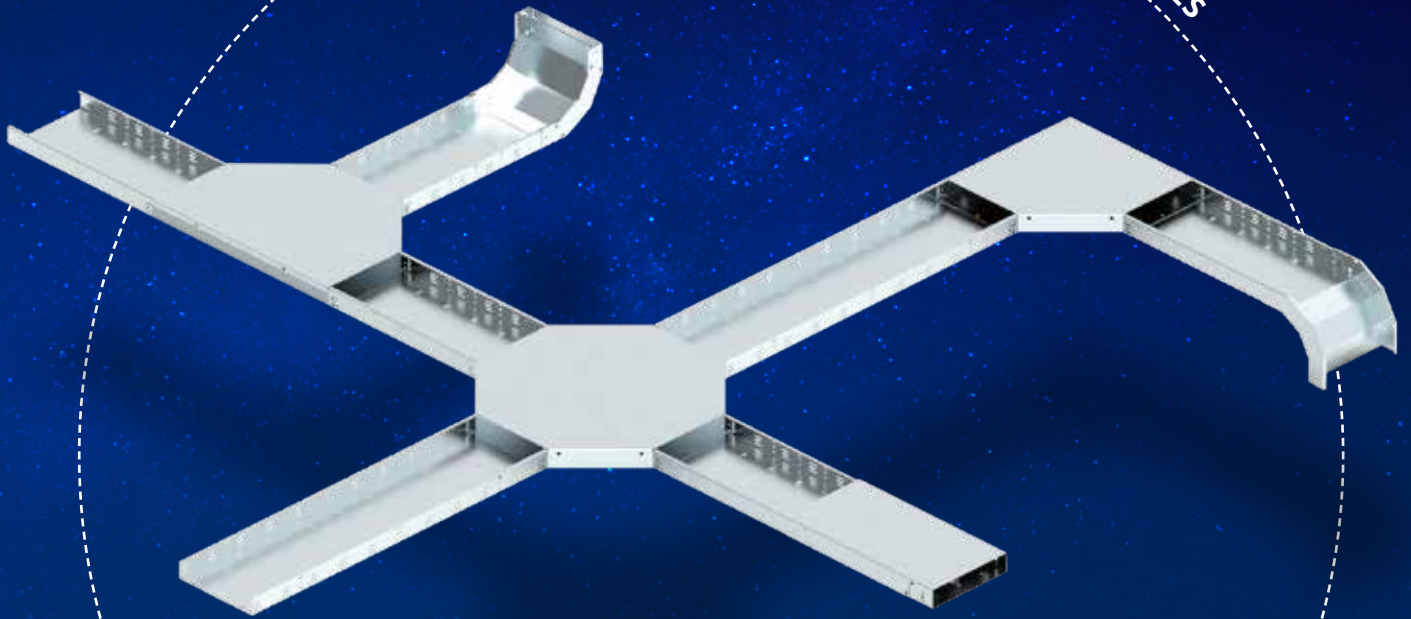


TRITON®

UNIQUE MODULAR SYSTEM OF CABLE TRAYS AND ACCESSORIES

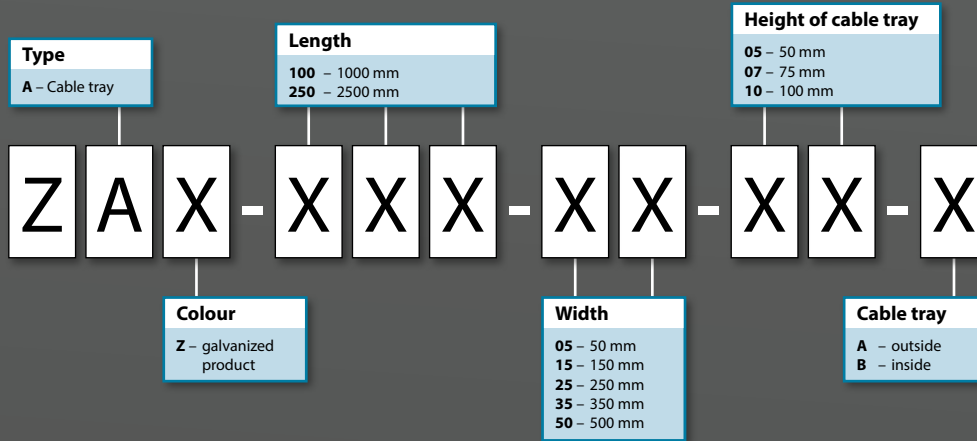


Cable management system

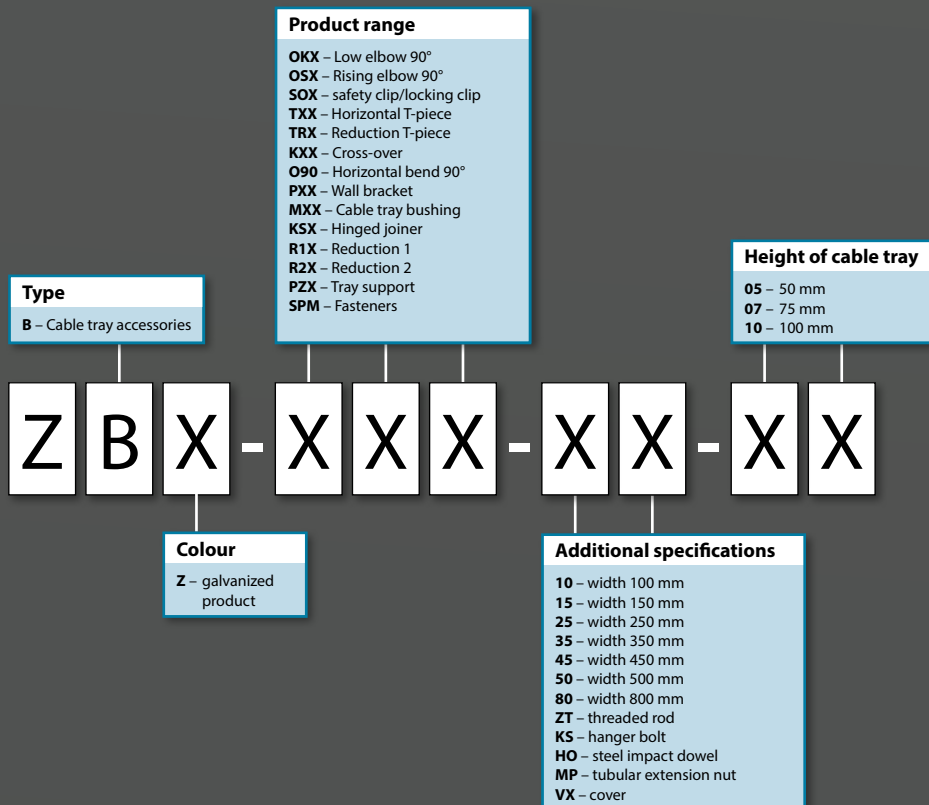
METAL

WIRE

Schedule of codes for cable trays



Schedule of codes for accessories





About us

Tritón company is a purely Czech manufacturer of data and telecommunication cabinets, data centres, cloakroom equipment, workshop furniture and many other customized products. The company has been founded in year 1993 and now is located nearby city of Pardubice in Starý Mateřov. The whole complex covers an area of 36 000 m². All our development and sharp production of only own products

sold under the Tritón brand takes place in the current five halls with an area of 17 000 m². The latest technologies, automation and robotization of work processes ensure the maximum quality of our products and thus allow to be a leading supplier on the Czech and European markets for years. We currently have more than 200 employees. Turnover in 2021 exceeded € 18,5 million.

That is why we are launching a new cable tray system. In comparison with the competitive products, it differs in many ways - construction and simplicity of mechanical and electrical connection which will be appreciated mainly by experienced electrotechnical workers. Great attention was paid to the length of our cable trays. This was set on non-standard 2.5 metres. We divide the cable trays into inner and outer due to the telescopic system, which allows

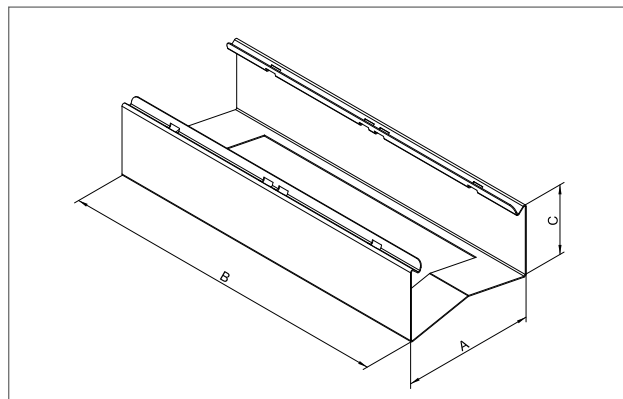
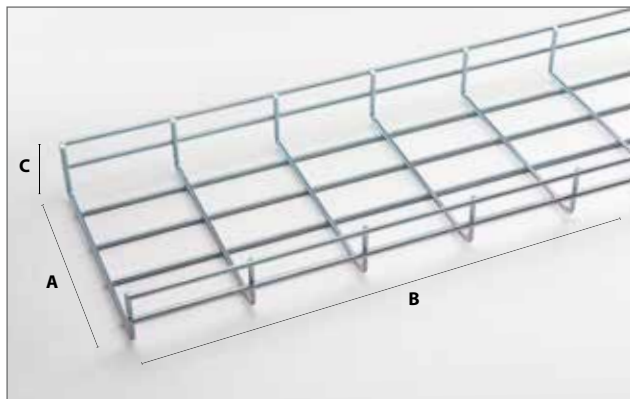
to adjust the length from 2.5 up to 5 metres according to your preferences. You will also find a wide range of accessories in our portfolio. That is why we hope that you will be interested in our new product.

„Installation has never been easier“.



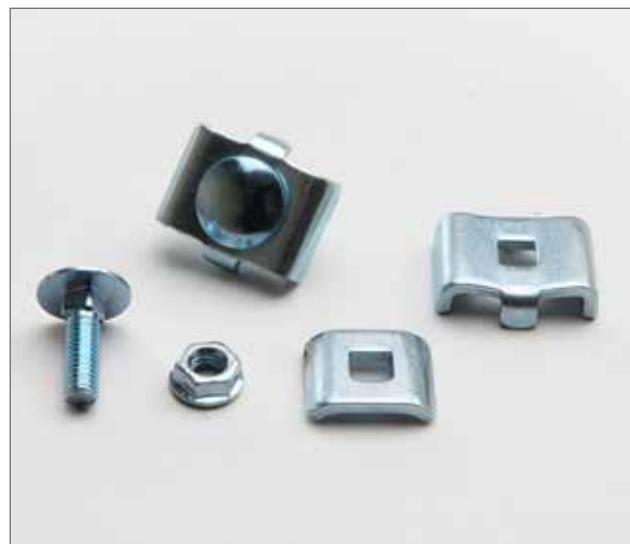
We manufacture all of the cable trays on our profile line Ras Profile Center. Due to this, they have their specific length 2.5 metres. All cut-out semi-finished products pass through a brushing machine, where burrs are removed and edges are rounded. In the ring is a semi-finished product before brushing, at the bottom below it after brushing. Installation is very safe and easy.

CABLE TRAYS



Wire tray

Type	A (mm)	B (mm)	C (mm)
ZAD-300-05-05	50	3000	50
ZAD-300-10-05	100	3000	50
ZAD-300-20-05	200	3000	50
ZAD-300-30-05	300	3000	50



Set of connectors

for connecting wire cable trays

Type	pcs
ZBD-SS4-01-XX	10
ZBD-SS4-02-XX	50

Wire tray quick coupling

Type	A (mm)	B (mm)	C (mm)
ZBZ-SDX-05-05	50	300	50
ZBZ-SDX-10-05	100	300	50
ZBZ-SDX-20-05	200	300	50
ZBZ-SDX-30-05	300	300	50
ZBZ-SDX-10-07	100	300	75
ZBZ-SDX-20-07	200	300	75
ZBZ-SDX-30-07	300	300	75



Metal quick coupling is not used for electrical connection.

For this, it is necessary to use a coupling with a screw, which guarantees higher rigidity of the connection.

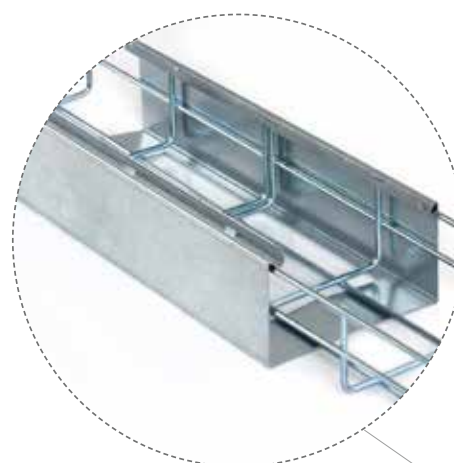


Wire cable trays are made of steel wire with various finishes.

They are designed for the installation of cable routes of high-current light and motor distributions, low-current distributions, measurement, regulation and distribution of other media. It is not necessary to use bushings to store and branch cables.

Assembly is easy and convenient due to the low weight of trays.

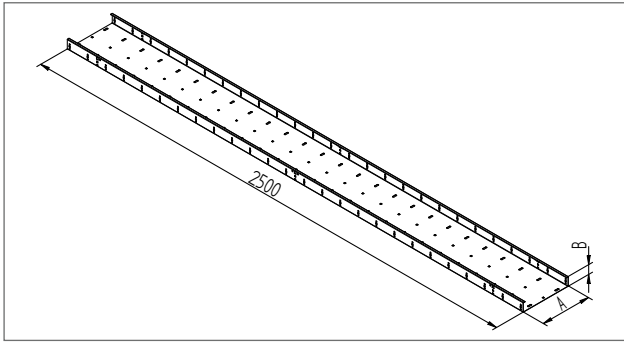
Trays can be easily shaped according to construction barriers or structures.



Connection detail

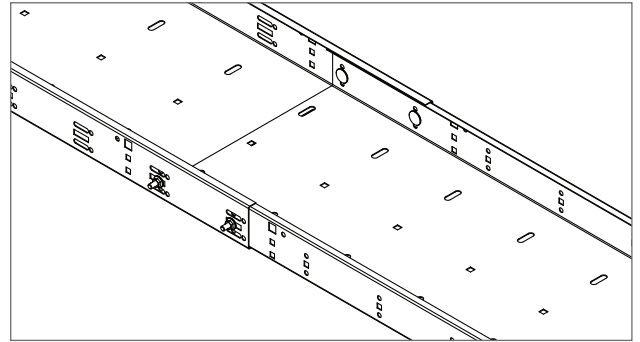


Wire cable trays are not certified for fire resistance. Price of fire certified trays on request



Outer cable tray

Type	A (mm)	B (mm)
ZAZ-250-10-05-A	100	50
ZAZ-250-15-05-A	150	50
ZAZ-250-25-05-A	250	50
ZAZ-250-35-05-A	350	50
ZAZ-250-50-05-A	500	50
ZAZ-250-15-07-A	150	75
ZAZ-250-25-07-A	250	75
ZAZ-250-35-07-A	350	75
ZAZ-250-50-07-A	500	75
ZAZ-250-15-10-A	150	100
ZAZ-250-25-10-A	250	100
ZAZ-250-35-10-A	350	100
ZAZ-250-50-10-A	500	100

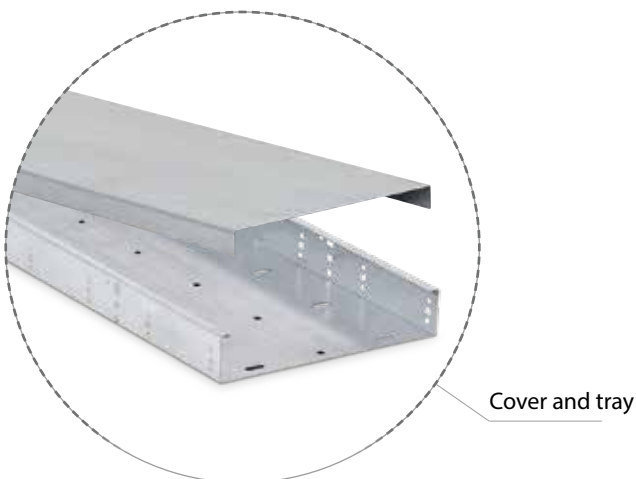
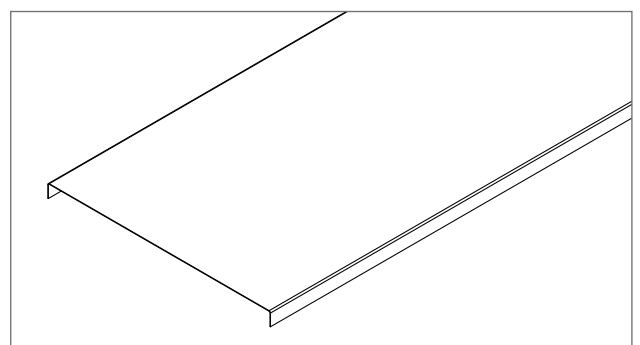
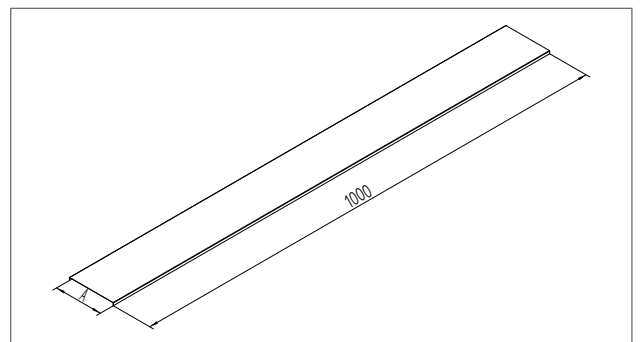


Inner cable tray

Type	A (mm)	B (mm)
ZAZ-250-10-05-B	100	50
ZAZ-250-15-05-B	150	50
ZAZ-250-25-05-B	250	50
ZAZ-250-35-05-B	350	50
ZAZ-250-50-05-B	500	50
ZAZ-250-15-07-B	150	75
ZAZ-250-25-07-B	250	75
ZAZ-250-35-07-B	350	75
ZAZ-250-50-07-B	500	75
ZAZ-250-15-10-B	150	100
ZAZ-250-25-10-B	250	100
ZAZ-250-35-10-B	350	100
ZAZ-250-50-10-B	500	100



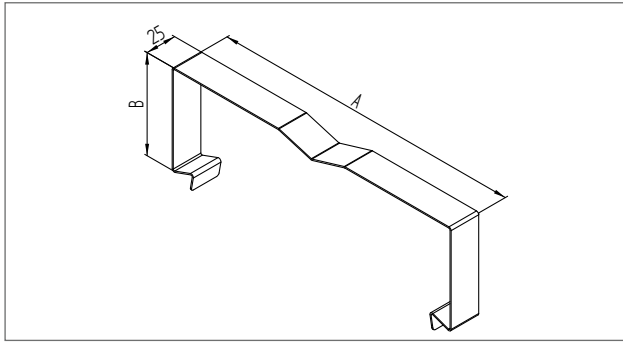
Size variants of trays



Cover

Type	A (mm)
ZAZ-100-10-VX	100
ZAZ-100-15-VX	150
ZAZ-100-25-VX	250
ZAZ-100-35-VX	350
ZAZ-100-50-VX	500

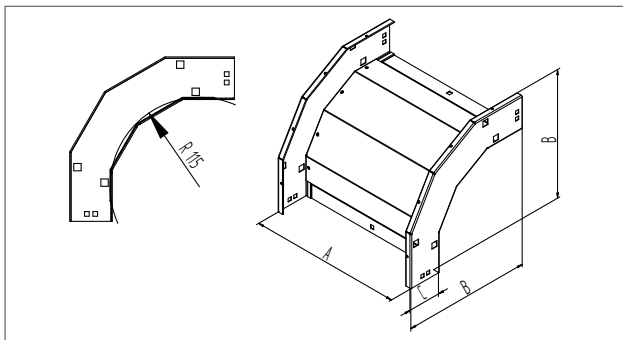
ACCESSORIES



Locking clip

Type	A (mm)	B (mm)
ZBZ-SOX-10-05	100	50
ZBZ-SOX-15-05	150	50
ZBZ-SOX-25-05	250	50
ZBZ-SOX-35-05	350	50
ZBZ-SOX-50-05	500	50
ZBZ-SOX-15-07	150	75
ZBZ-SOX-25-07	250	75
ZBZ-SOX-35-07	350	75
ZBZ-SOX-50-07	500	75
ZBZ-SOX-15-10	150	100
ZBZ-SOX-25-10	250	100
ZBZ-SOX-35-10	350	100
ZBZ-SOX-50-10	500	100

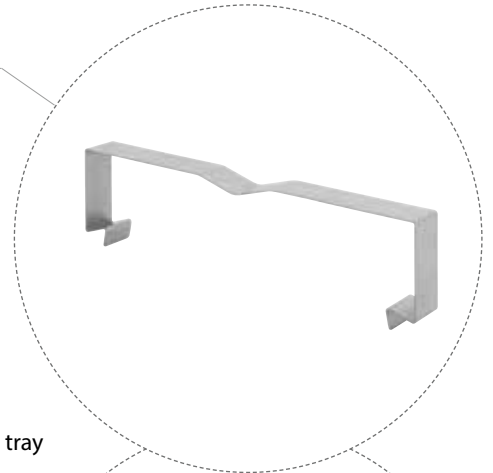
Průmyslový vzor Společenství: 007346127



Low elbow 90°

Type	A (mm)	B (mm)	C (mm)
ZBZ-OKX-10-05	100	210	50
ZBZ-OKX-15-05	150	210	50
ZBZ-OKX-25-05	250	210	50
ZBZ-OKX-35-05	350	210	50
ZBZ-OKX-50-05	500	210	50
ZBZ-OKX-15-07	150	235	75
ZBZ-OKX-25-07	250	235	75
ZBZ-OKX-35-07	350	235	75
ZBZ-OKX-50-07	500	235	75
ZBZ-OKX-15-10	150	260	100
ZBZ-OKX-25-10	250	260	100
ZBZ-OKX-35-10	350	260	100
ZBZ-OKX-50-10	500	260	100

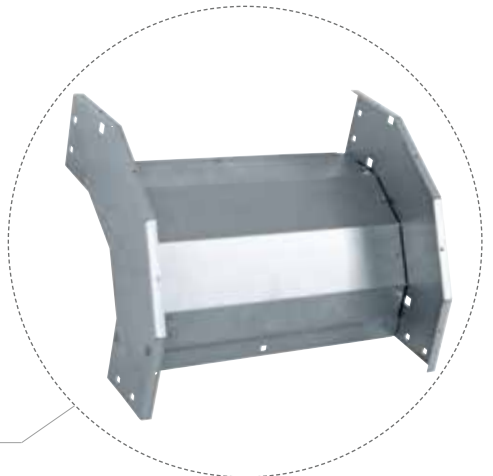
Clip



Detail of a covered tray secured with a clip



Low elbow 90°



STOP

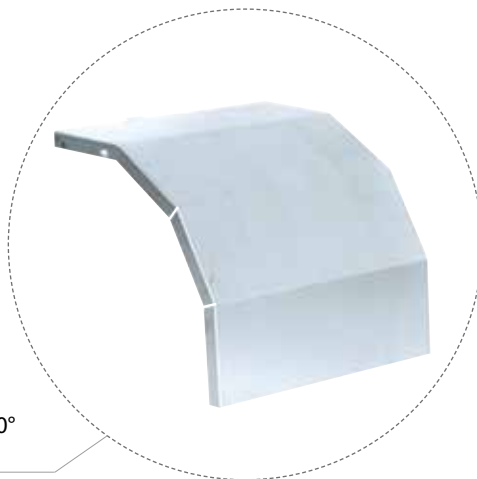
Detail of the edge design



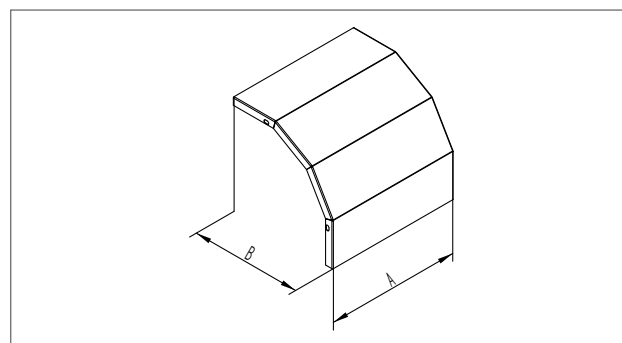
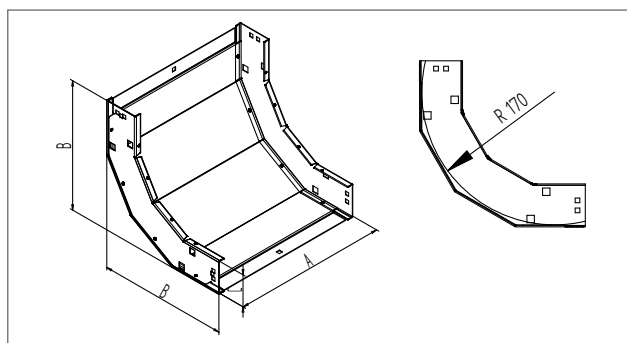
Hemming is a part of most semi-finished products to create cable tracks. It strengthens the structure, ensures

Safe routing of cable installations and prevents from damage by sharp edges.

In combination with brushing of semi-finished products and covering of the edges, this is a unique safety feature important for both installed wiring and assembly workers.



Low elbow 90° cover



Rising elbow 90°

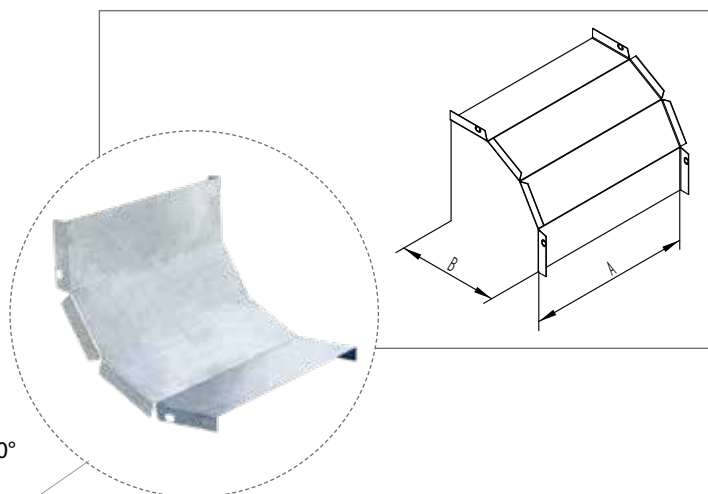
Low elbow 90° cover

Type	A (mm)	B (mm)	C (mm)
ZBZ-OSX-10-05	100	210	50
ZBZ-OSX-15-05	150	210	50
ZBZ-OSX-25-05	250	210	50
ZBZ-OSX-35-05	350	210	50
ZBZ-OSX-50-05	500	210	50
ZBZ-OSX-15-07	150	235	75
ZBZ-OSX-25-07	250	235	75
ZBZ-OSX-35-07	350	235	75
ZBZ-OSX-50-07	500	235	75
ZBZ-OSX-15-10	150	260	100
ZBZ-OSX-25-10	250	260	100
ZBZ-OSX-35-10	350	260	100
ZBZ-OSX-50-10	500	260	100

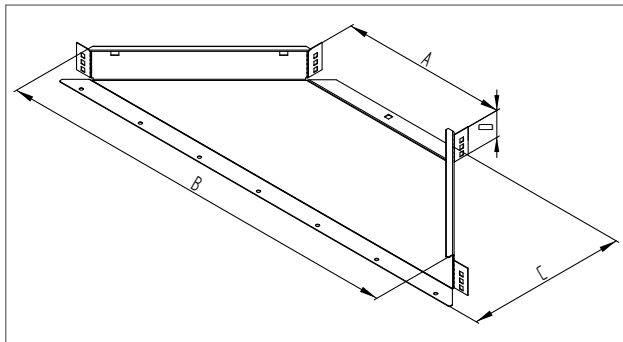
Type	A (mm)	B (mm)
ZBZ-OKV-10-05	100	210
ZBZ-OKV-15-05	150	210
ZBZ-OKV-25-05	250	210
ZBZ-OKV-35-05	350	210
ZBZ-OKV-50-05	500	210
ZBZ-OKV-15-07	150	235
ZBZ-OKV-25-07	250	235
ZBZ-OKV-35-07	350	235
ZBZ-OKV-50-07	500	235
ZBZ-OKV-15-10	150	260
ZBZ-OKV-25-10	250	260
ZBZ-OKV-35-10	350	260
ZBZ-OKV-50-10	500	260

Rising elbow 90° cover

Type	A (mm)
ZBZ-OSX-10-VX	100
ZBZ-OSX-15-VX	150
ZBZ-OSX-25-VX	250
ZBZ-OSX-35-VX	350
ZBZ-OSX-50-VX	500

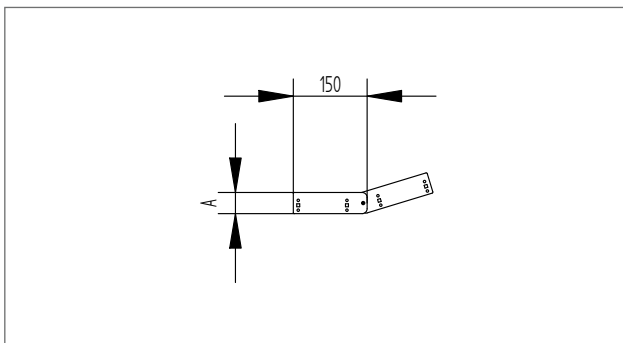


Rising elbow 90° cover



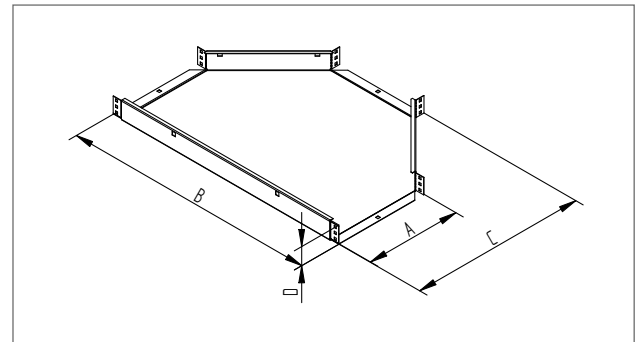
Reducing T-piece

Type	A (mm)	B (mm)	C (mm)	D (mm)
ZBZ-TRX-10-05	100	250	130	50
ZBZ-TRX-15-05	150	365	165	50
ZBZ-TRX-25-05	250	605	235	50
ZBZ-TRX-35-05	350	855	305	50
ZBZ-TRX-50-05	500	1210	410	50
ZBZ-TRX-15-07	150	365	165	75
ZBZ-TRX-25-07	250	605	235	75
ZBZ-TRX-35-07	350	855	305	75
ZBZ-TRX-50-07	500	1210	410	75
ZBZ-TRX-15-10	150	365	165	100
ZBZ-TRX-25-10	250	605	235	100
ZBZ-TRX-35-10	350	855	305	100
ZBZ-TRX-50-10	500	1210	410	100



Hinged joiner

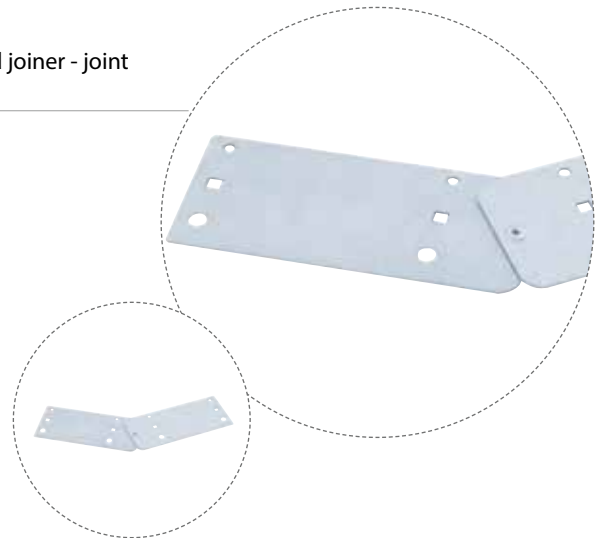
Type	A (mm)
ZBZ-KSX-15-05	43
ZBZ-KSX-15-07	68
ZBZ-KSX-15-10	93

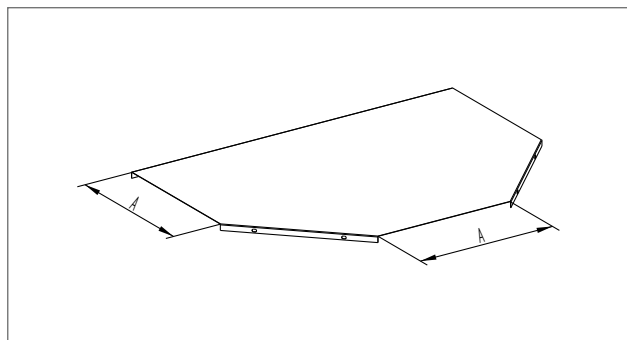
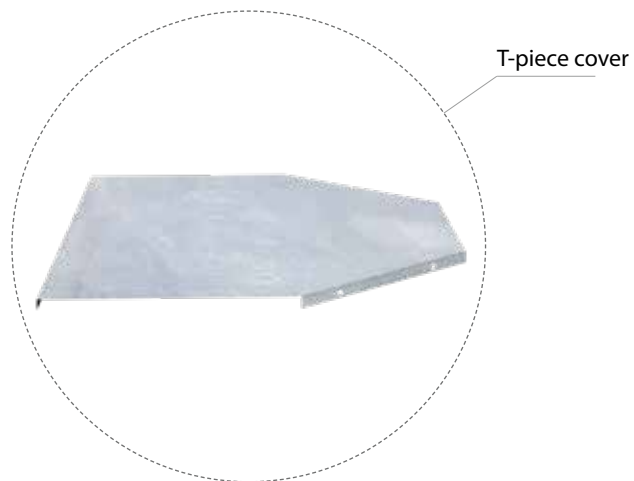


T-piece

Type	A (mm)	B (mm)	C (mm)	D (mm)
ZBZ-TXX-10-05	100	120	90	50
ZBZ-TXX-15-05	150	350	250	50
ZBZ-TXX-25-05	250	600	450	50
ZBZ-TXX-35-05	350	850	600	50
ZBZ-TXX-50-05	500	1200	850	50
ZBZ-TXX-15-07	150	350	250	75
ZBZ-TXX-25-07	250	600	450	75
ZBZ-TXX-35-07	350	850	600	75
ZBZ-TXX-50-07	500	1200	850	75
ZBZ-TXX-15-10	150	350	250	100
ZBZ-TXX-25-10	250	600	450	100
ZBZ-TXX-35-10	350	850	600	100
ZBZ-TXX-50-10	500	1200	850	100

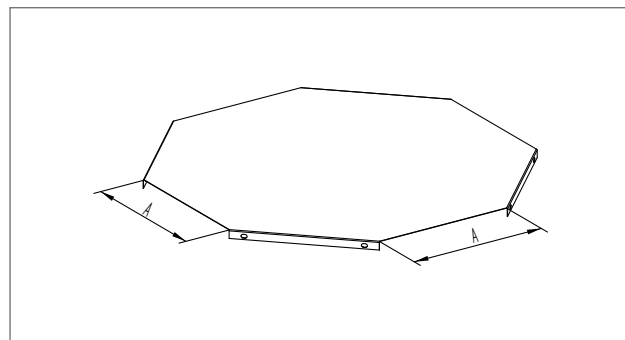
hinged joiner - joint detail





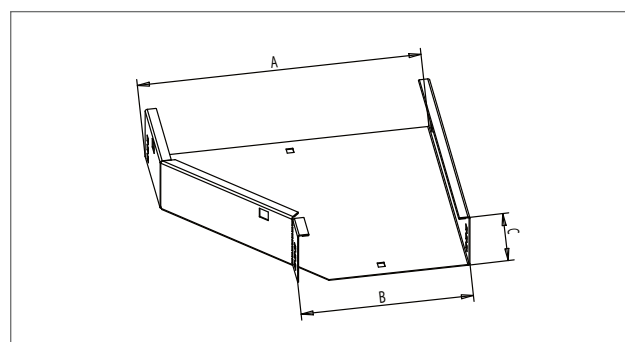
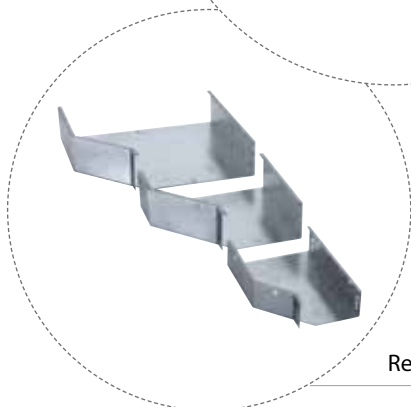
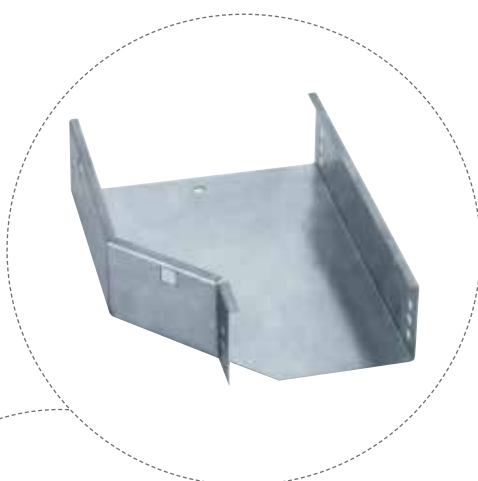
T-piece cover

Type	A (mm)
ZBZ-TXX-10-VX	100
ZBZ-TXX-15-VX	150
ZBZ-TXX-25-VX	250
ZBZ-TXX-35-VX	350
ZBZ-TXX-50-VX	500



Cross-over cover

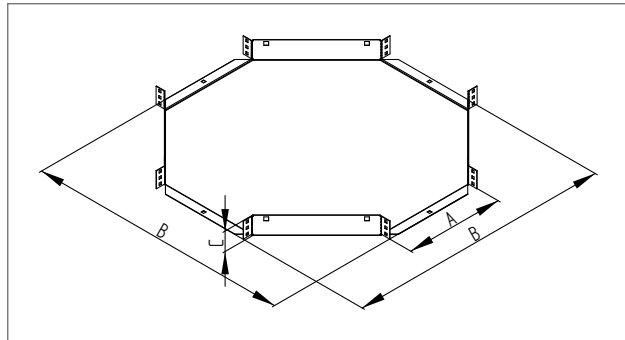
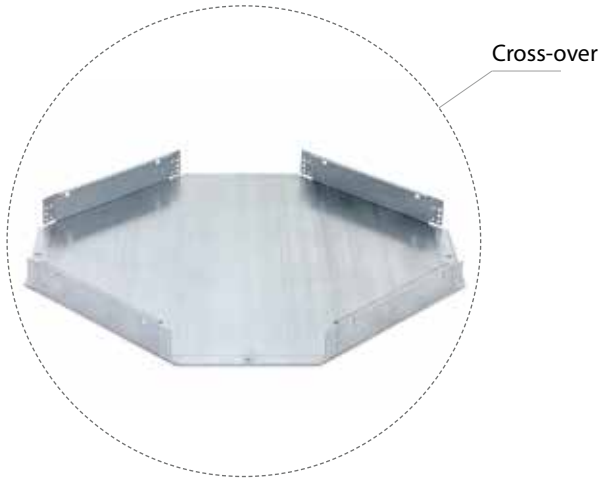
Type	A (mm)
ZBZ-KXX-10-VX	100
ZBZ-KXX-15-VX	150
ZBZ-KXX-25-VX	250
ZBZ-KXX-35-VX	350
ZBZ-KXX-50-VX	500



Reduction 1

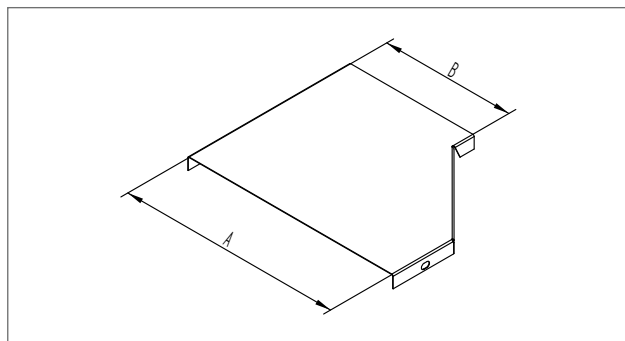
Type	A (mm)	B (mm)	C (mm)
ZBZ-R1X-15-05	150	100	50
ZBZ-R1X-25-05	250	150	50
ZBZ-R1X-35-05	350	250	50
ZBZ-R1X-50-05	500	350	50
ZBZ-R1X-25-07	250	150	75
ZBZ-R1X-35-07	350	250	75
ZBZ-R1X-50-07	500	350	75
ZBZ-R1X-25-10	250	150	100
ZBZ-R1X-35-10	350	250	100
ZBZ-R1X-50-10	500	350	100

ACCESSORIES



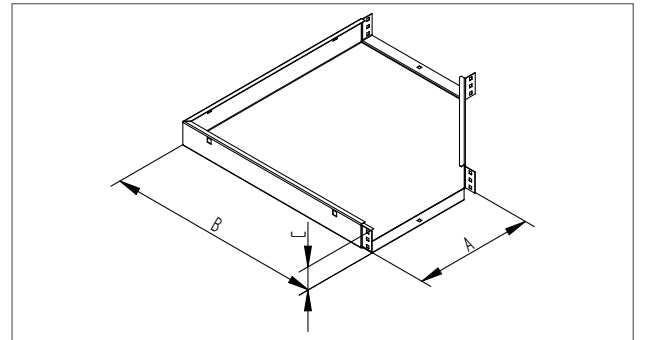
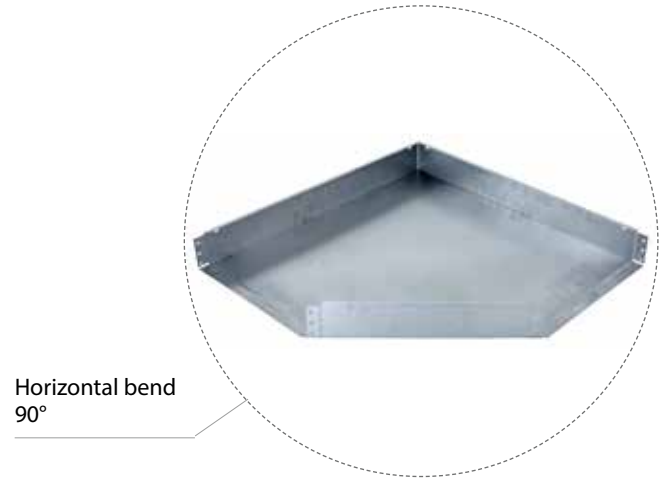
Cross-over

Type	A (mm)	B (mm)	C (mm)
ZBZ-KXX-10-05	100	120	50
ZBZ-KXX-15-05	150	350	50
ZBZ-KXX-25-05	250	600	50
ZBZ-KXX-35-05	350	850	50
ZBZ-KXX-50-05	500	1200	50
ZBZ-KXX-15-07	150	350	75
ZBZ-KXX-25-07	250	600	75
ZBZ-KXX-35-07	350	850	75
ZBZ-KXX-50-07	500	1200	75
ZBZ-KXX-15-10	150	350	100
ZBZ-KXX-25-10	250	600	100
ZBZ-KXX-35-10	350	850	100
ZBZ-KXX-50-10	500	1200	100



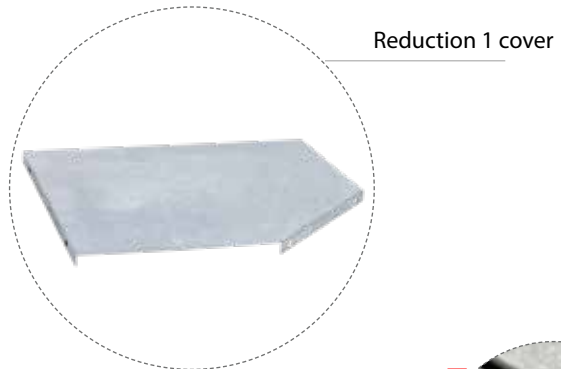
Reduction 1 cover

Type	A (mm)	B (mm)
ZBZ-R1X-15-VX	150	100
ZBZ-R1X-25-VX	250	150
ZBZ-R1X-35-VX	350	250
ZBZ-R1X-50-VX	500	350



Horizontal bend 90°

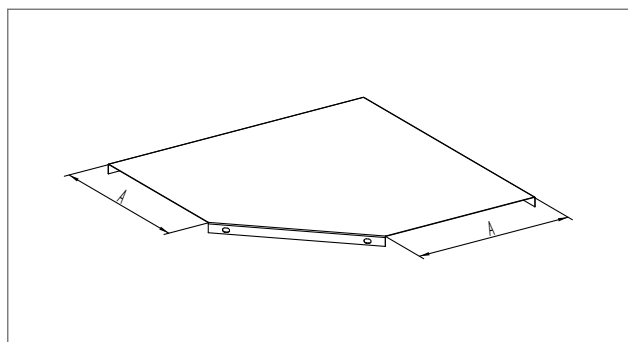
Type	A (mm)	B (mm)	C (mm)
ZBZ-O90-10-05	100	90	50
ZBZ-O90-15-05	150	250	50
ZBZ-O90-25-05	250	450	50
ZBZ-O90-35-05	350	600	50
ZBZ-O90-50-05	500	850	50
ZBZ-O90-15-07	150	250	75
ZBZ-O90-25-07	250	450	75
ZBZ-O90-35-07	350	600	75
ZBZ-O90-50-07	500	850	75
ZBZ-O90-15-10	150	250	100
ZBZ-O90-25-10	250	450	100
ZBZ-O90-35-10	350	600	100
ZBZ-O90-50-10	500	850	100



Safe installation and protection of installed cable lines. All main semi-finished products are burr-free with rounded edges.



horizontal bend 90° cover, bottom view

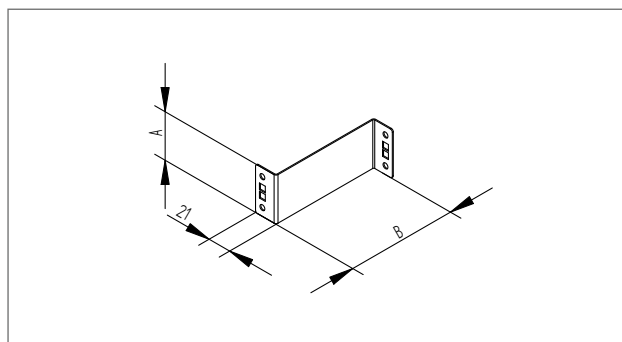


Horizontal bend 90° cover

Type	A (mm)
ZBZ-O90-10-VX	100
ZBZ-O90-15-VX	150
ZBZ-O90-25-VX	250
ZBZ-O90-35-VX	350
ZBZ-O90-50-VX	500



Reduction

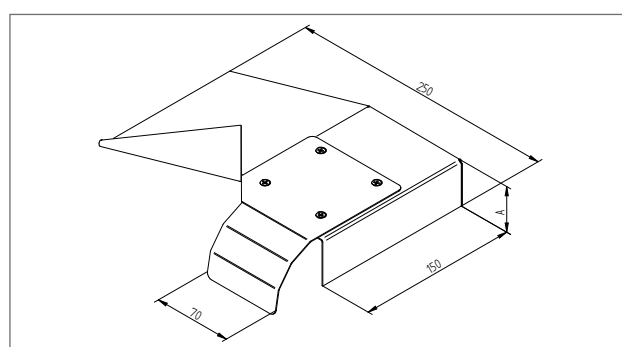


Reduction 2

Type	A (mm)	B (mm)
ZBZ-R2X-10-05	43	100
ZBZ-R2X-10-07	68	100
ZBZ-R2X-10-10	93	100
ZBZ-R2X-15-05	43	150
ZBZ-R2X-15-07	68	150
ZBZ-R2X-15-10	93	150



Detail of the edge design



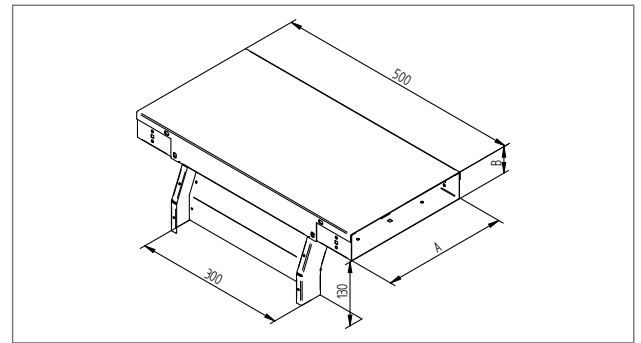
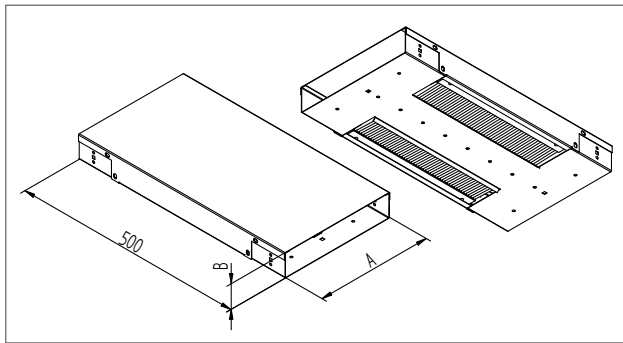
Cables routing out of the tray

Type	A (mm)
ZBZ-SVX-XX-05	50
ZBZ-SVX-XX-07	75
ZBZ-SVX-XX-10	100

Cable tray bushing, lower and upper part with brushes



Cable tray bushing with cover - bottom view



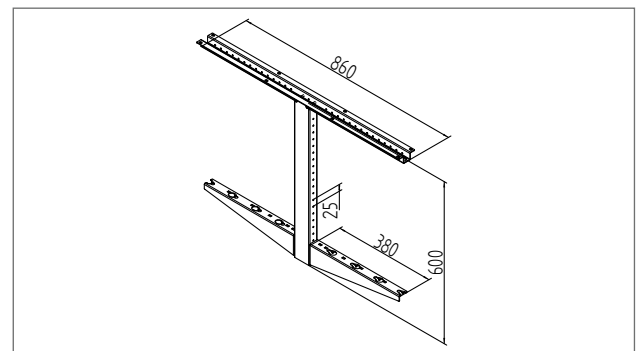
Cable tray bushing
including cover

Type	A (mm)	B (mm)
ZBZ-MXX-15-05	150	50
ZBZ-MXX-25-05	250	50
ZBZ-MXX-35-05	350	50
ZBZ-MXX-50-05	500	50
ZBZ-MXX-15-07	150	75
ZBZ-MXX-25-07	250	75
ZBZ-MXX-35-07	350	75
ZBZ-MXX-50-07	500	75
ZBZ-MXX-15-10	150	100
ZBZ-MXX-25-10	250	100
ZBZ-MXX-35-10	350	100
ZBZ-MXX-50-10	500	100

Cable tray bushing
including cover and descending arch

Type	A (mm)	B (mm)
ZBZ-MDX-15-05	150	50
ZBZ-MDX-25-05	250	50
ZBZ-MDX-35-05	350	50
ZBZ-MDX-50-05	500	50
ZBZ-MDX-15-07	150	75
ZBZ-MDX-25-07	250	75
ZBZ-MDX-35-07	350	75
ZBZ-MDX-50-07	500	75
ZBZ-MDX-15-10	150	100
ZBZ-MDX-25-10	250	100
ZBZ-MDX-35-10	350	100
ZBZ-MDX-50-10	500	100

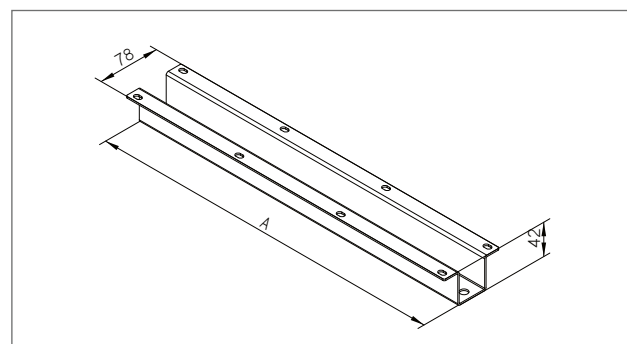
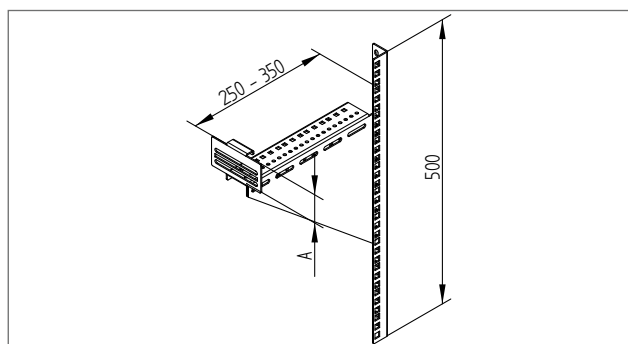
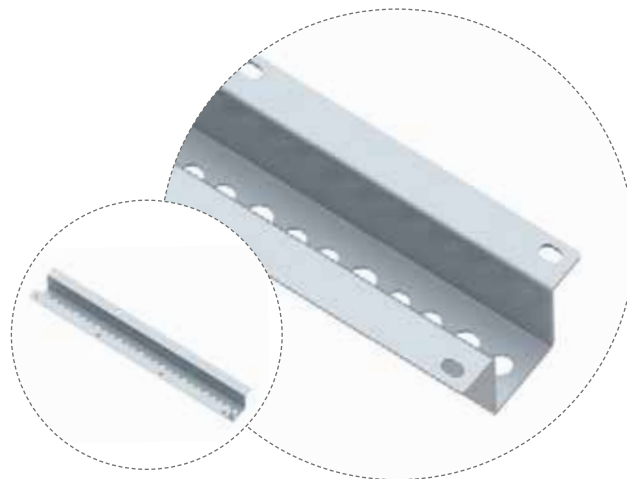
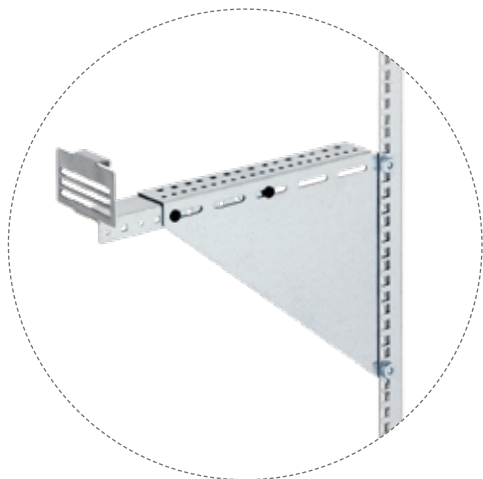
Ceiling support



Ceiling tray support

Type	Width for tray (mm)
ZBZ-PSX-60-38	100 - 350

i The threaded rod serves to increase the load capacity of the support and strengthen the entire system. The bar is not part of the ceiling support.



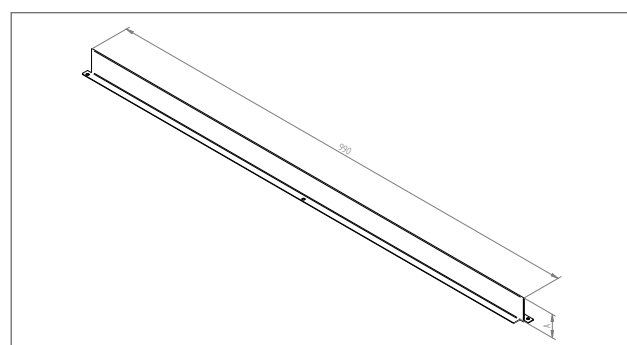
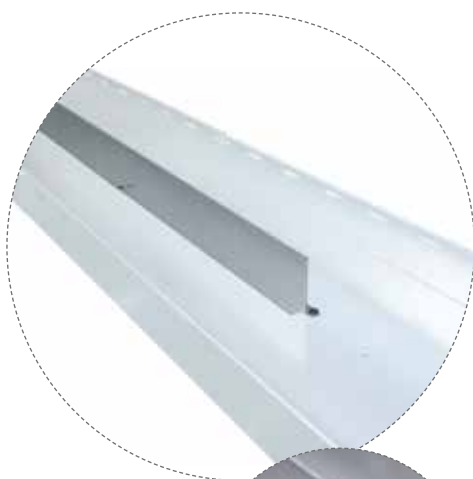
Tray support

Type	A (mm)
ZBZ-PXX-50-05	50
ZBZ-PXX-50-07	75
ZBZ-PXX-50-10	100

Cable tray support

for assembly with threaded rod

Type	width (mm)
ZBZ-PZX-45-XX	450
ZBZ-PZX-80-XX	800



Detail of attachment of the wall bracket with plastic pins

Wall bracket

Type	A (mm)
ZBZ-RPX-XX-05	50
ZBZ-RPX-XX-07	75
ZBZ-RPX-XX-10	100

ACCESSORIES



Set of plastic pins

for connecting cable trays

Type	pcs
ZBZ-ST1-XX-XX	10
ZBZ-ST2-XX-XX	50

i Plastic pins are a clever solution for easy pre-assembly (the entire system setup)



Set of screws

for connecting cable trays

Type	pcs
ZBZ-SS1-XX-XX	10
ZBZ-SS2-XX-XX	50

i Screws with square neck prevent rotation during installation. It is designed for mechanical and electrical connection of the entire system.



Threaded rod

Type	size
ZBZ-SPM-ZT-01	M8 x 1000
ZBZ-SPM-ZT-02	M10 x 1000
ZBZ-SPM-ZT-03	M8 x 2000
ZBZ-SPM-ZT-04	M10 x 2000



Hanger bolt

Type	size
ZBZ-SPM-KS-01	8 x 80
ZBZ-SPM-KS-02	10 x 100



Steel impact dowel

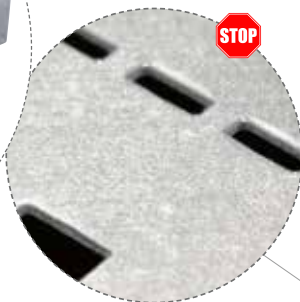
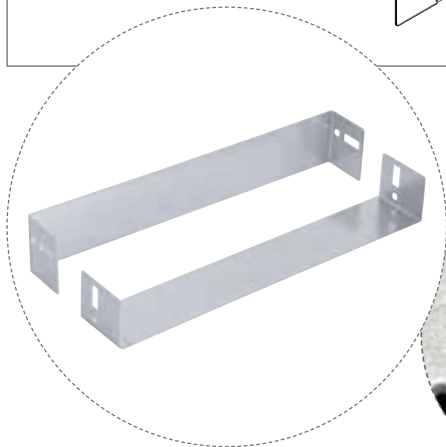
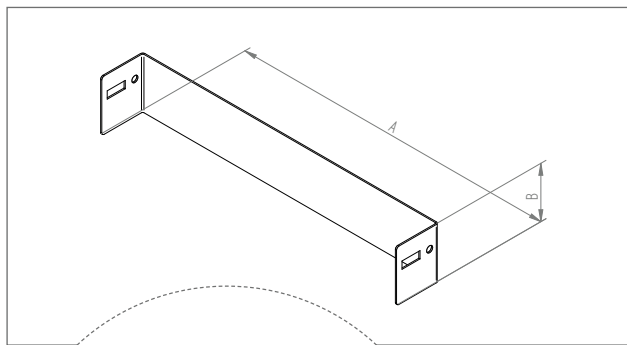
Type	size
ZBZ-SPM-HO-01	M8
ZBZ-SPM-HO-02	M10



Tubular extension nut

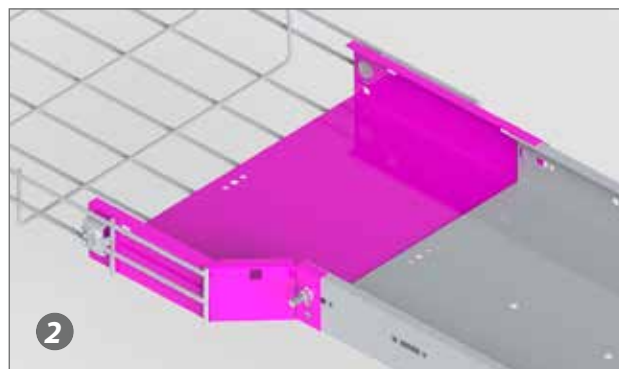
Type	size
ZBZ-SPM-MP-01	M8
ZBZ-SPM-MP-02	M10

Tray blind



Type	A (mm)	B (mm)
ZBZ-ZXX-10-05	100	50
ZBZ-ZXX-15-05	150	50
ZBZ-ZXX-25-05	250	50
ZBZ-ZXX-35-05	350	50
ZBZ-ZXX-50-05	500	50
ZBZ-ZXX-15-07	150	75
ZBZ-ZXX-25-07	250	75
ZBZ-ZXX-35-07	350	75
ZBZ-ZXX-50-07	500	75
ZBZ-ZXX-15-10	150	100
ZBZ-ZXX-25-10	250	100
ZBZ-ZXX-35-10	350	100
ZBZ-ZXX-50-10	500	100

Safe installation and protection of cable lines, all important semi-finished products are burr-free with rounded edges



Reduction between sheet metal cable tray and wire cable tray

There are certain variants possible for this connection :

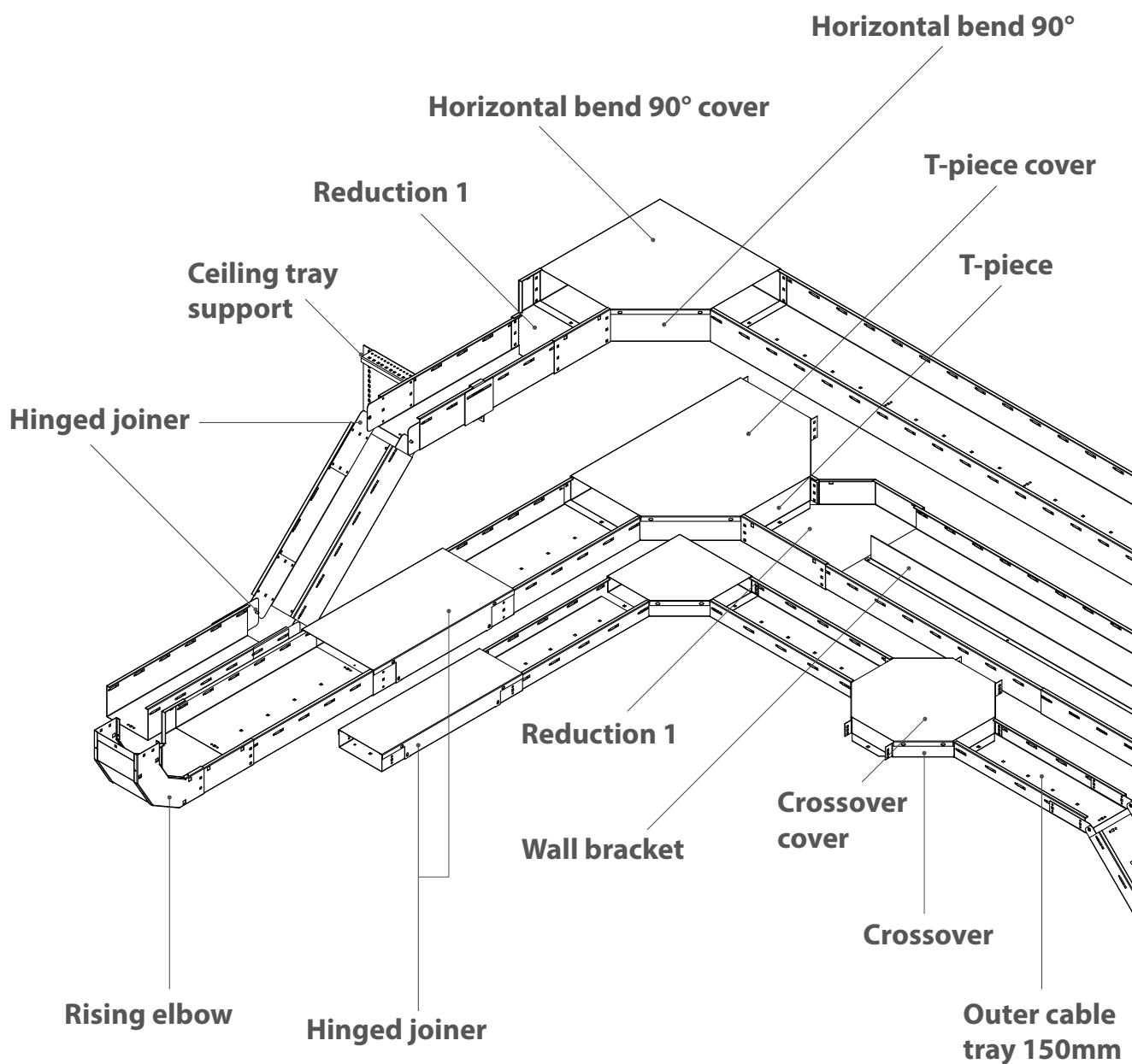
- 1 wider sheet metal cable tray vs. narrower wire cable tray
- 2 wider wire cable tray vs. narrower sheet metal cable tray
- 3 Identical wide cable tray (direct connection = without reduction)

In case of placement at the wall it's possible to mount cable trays on right or left side.

We will provide more detailed information upon request.

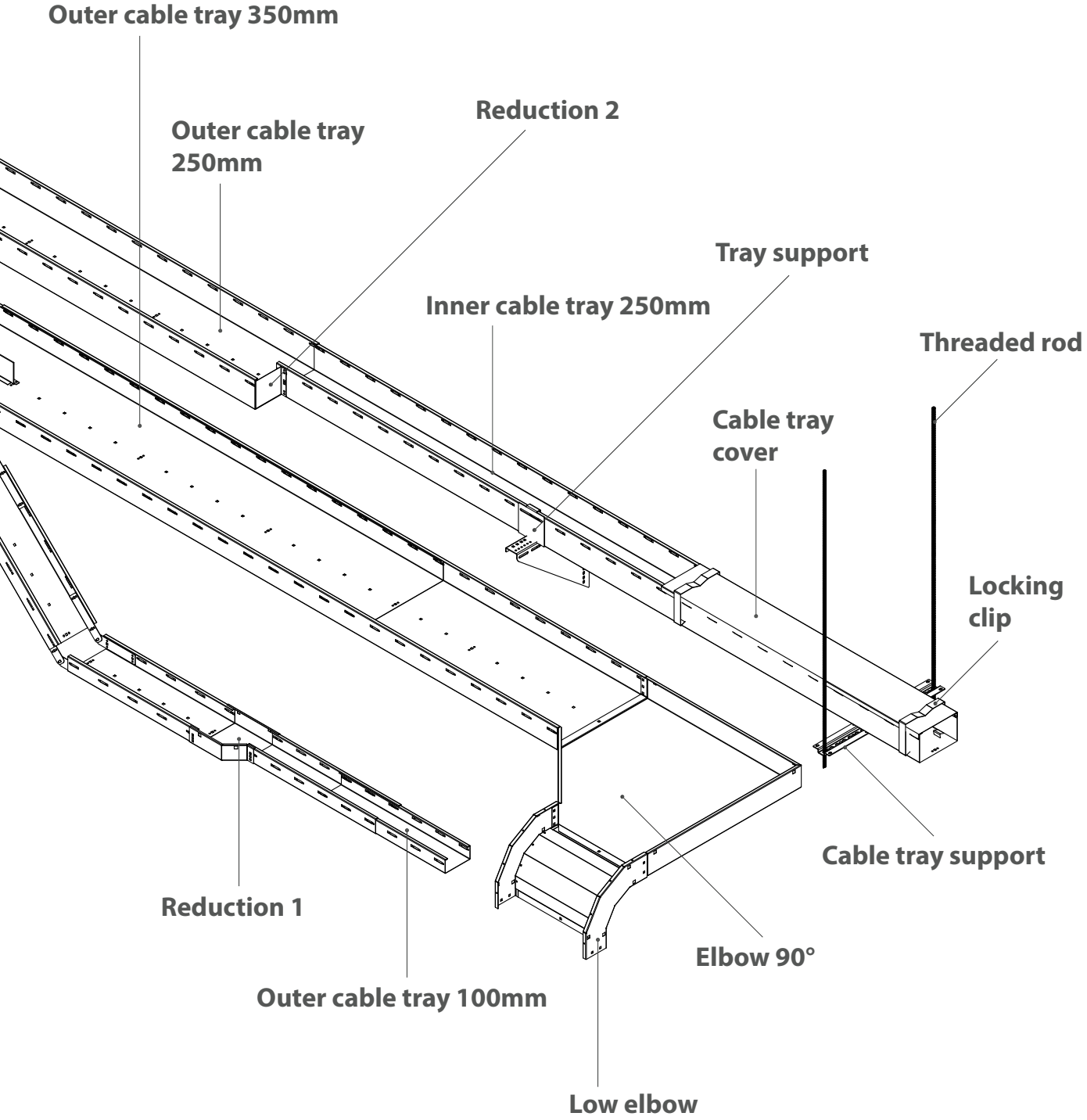


Example of cable track design with individual components

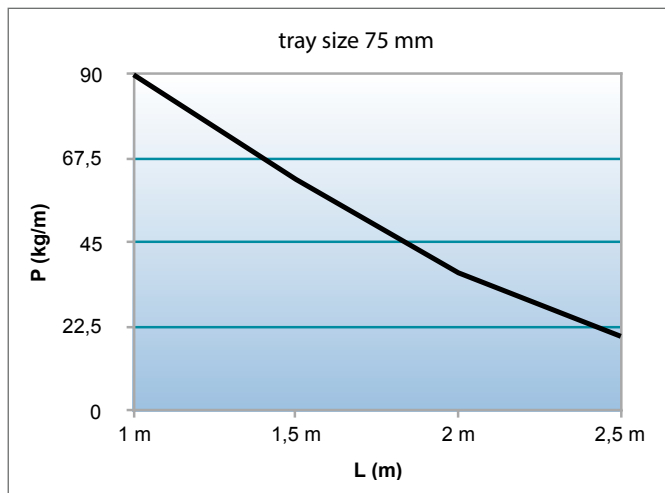
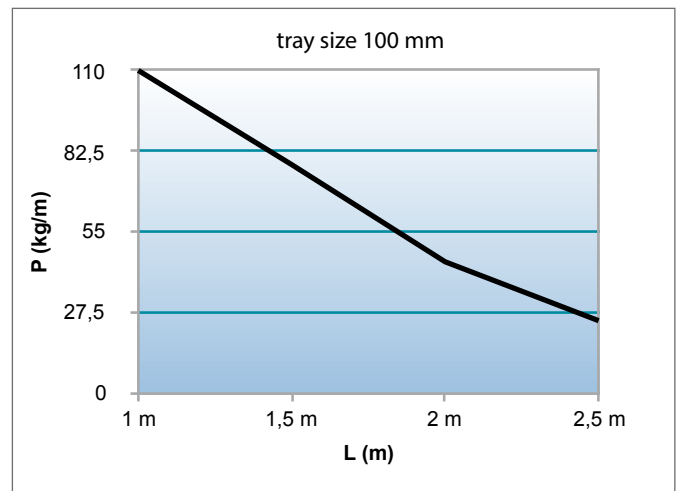
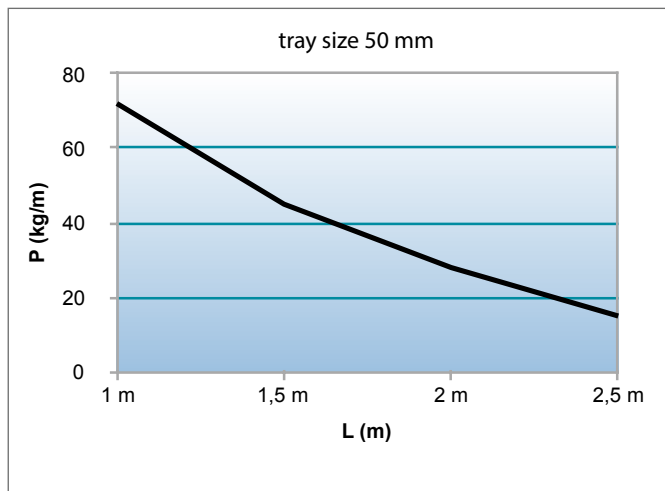


To save your time, you can use our free cable tray design service.

This service consists of an itemized budget, including a breakdown of fasteners and individual parts.



Load capacity of cable trays depending on the length supports



The graph shows the maximum permitted uniform load of the tray depending on the length the supports.

L = length of supports (m)

P = permitted uniform load (weight kg / m)



Metal cable tray testing process

in the testing laboratory PAVUS, a.s., Authorized person AO 216.

The product fulfills the requirements according to ČSN 73 0810 and ČSN 73 0895 for the level P15-R to P90-R.

It also meets the fire resistance according to ČSN 73 0810 and ČSN EN 13501-1.

The product is healthy safe according to the Decree of the Ministry of Health No. 6/2003 Coll.



Certificate

Sheet metal cable tray

Sheet metal cable tray



ISO 9001:2015



ZAZ-XXX-XX-XXX
ZBZ-XXX-XX-XXX



Certificate Cable support systems



Sheet metal cable tray

Wire trays

Wire trays



ISO 14001:2015



Declaration of Conformity
Cable support systems



Certificate of Low Voltage
Directive



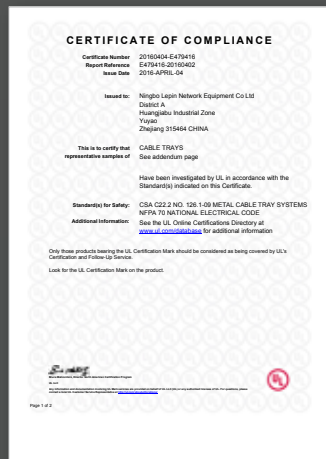
ROHS Certification

Wire trays

Wire trays



ISO 45001:2018



UL Certification



SGS Test Report



TRITON®

Tritón Pardubice, spol. s r. o.

č.p. 130, 530 02 Starý Mateřov, Czech Republic

Tel.: +420 467 401 111

E-mail: sale@triton.cz

Triton Chemnitz GmbH

Teichstraße 11, 09366 Niederdorf, Germany

Tel.: +49 (0) 37296 5498-0

E-mail: info@triton-racks.de

www.triton-racks.com

www.clotheslockers.eu