



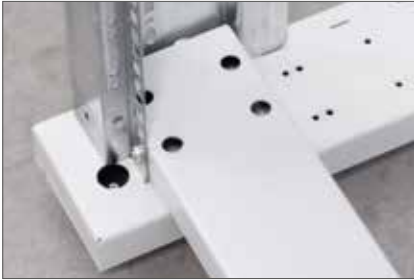
RSX-F

19" open frames suitable for the installation of equipment
in protected area, capacity 800 kg



■ Rigid construction

Vertical profile rails provide a high maximum loading capacity and a rigidity of an open frame.



■ Profile fixation



■ Easy assembly

Quick-connection detail.



■ Castors, levelling feet

Preparation for mounting of castors and levelling feet. Levelling feet are part of the cabinet supply.



■ Power distribution units

(optional accessory)



■ Open frame - FLEX

RSF-X open frame is supplied as double section only. Front and rear frame may be placed on the base in variety of distances to support installation of equipment with different depth.

Two versions are available.

Model XD8 serves installation of equipment with mounting depth from 415mm to 715mm, model XD2 is made for equipment from 815mm to 1115mm.

Single section 600 x 800

Type	A	B	D	E	Weight gross (kg)	Weight net (kg)	Maximum recommended load (kg)
(mm)							
RSX-27-XD8-CXX-AF	1300	415 - 715	600	800	29	28,5	800
RSX-32-XD8-CXX-AF	1525	415 - 715	600	800	31,5	31	
RSX-37-XD8-CXX-AF	1750	415 - 715	600	800	34	33	
RSX-42-XD8-CXX-AF	1970	415 - 715	600	800	36	35	
RSX-45-XD8-CXX-AF	2105	415 - 715	600	800	37,5	36,5	
RSX-47-XD8-CXX-AF	2194	415 - 715	600	800	38,5	37,5	

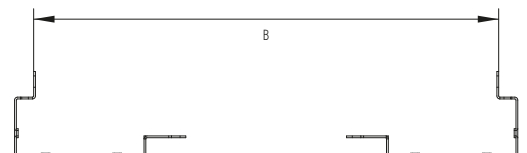
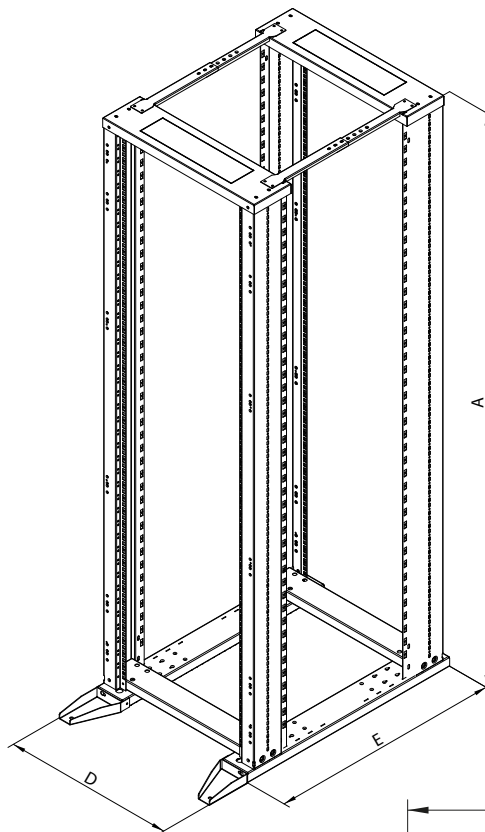
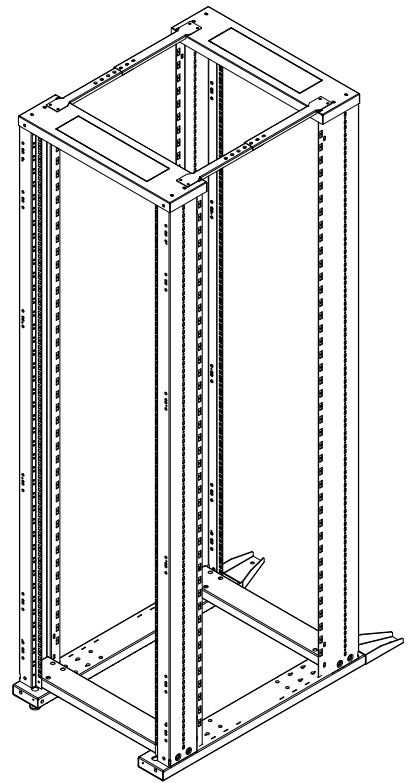
Single section 600 x 1200

Type	A	B	D	E	Weight gross (kg)	Weight net (kg)	Maximum recommended load (kg)
(mm)							
RSX-27-XD2-CXX-AF	1300	815 - 1115	600	1200	31	30,5	800
RSX-32-XD2-CXX-AF	1525	815 - 1115	600	1200	33,5	33	
RSX-37-XD2-CXX-AF	1750	815 - 1115	600	1200	36	35	
RSX-42-XD2-CXX-AF	1970	815 - 1115	600	1200	38	37	
RSX-45-XD2-CXX-AF	2105	815 - 1115	600	1200	40	39	
RSX-47-XD2-CXX-AF	2194	815 - 1115	600	1200	41	40	



Easy to transport

The open frame is delivered disassembled for easy transport and delivery at the installation site even in difficult to reach areas.



Stabilization set

It is mounted additionally on the base of the frame and increases stability of the whole set in case of installation of slide-out devices, e.g. servers (included in delivery).

RSX-F 19" open frames

Description, purpose of use

- 19" open frames are used for installations of devices in predetermined rooms.
- Frame verticals can be installed flexibly in variety of distance (front to back)
- Frame construction:
 - Ready to assemble
 - Steel parts joined by screws
 - 19" profile frame is suitable for placing directly on the floor using levelling feet or castors (levelling feet are part of supply).
- Min. thickness of the surface finish is 65 µm.

Operating conditions

- Operating environment:
 - Office
 - The frame is not intended for outdoor installations and for installations in environment that can influence negatively the functionality of the cabinet and the mounted devices (e.g. environment with danger of explosion or humid and wet surroundings)
- Must be protected against:
 - Mechanical damage
 - Improper handling
 - A different usage than the cabinet is intended for
- Improper handling is especially:
 - Overloading (exceeding the maximum recommended load)
 - Installing devices which may negatively influence the operation and function of the cabinet or the installed equipment.
 - Change of the construction or design of the cabinet

Mounting of the frame

- To ensure the maximum recommended load, it is necessary to distribute the load equally. It is necessary to prevent one-side or one-point loading of the frame.
- Place the frame on a flat floor and compensate an eventual small roughness with levelling feet.

Environmental protection

- All parts are made of recyclable materials and after decommissioning the cabinet, it must be disposed of according to relevant regulations

Certificate and conformity

- This product is fully in accordance with ČSN EN 62208 ed 2:2012.