

Active cooling

■ RAC-DV-Axx-X1, RAC-DV-Axx-X1

In our selection we include a special sheet-metal door with a preparation for the installation of the RAX-CH-X0x-X3 ventilation units (two, four or six fans in the ventilating unit) designated for the most of the TRITON free standing cabinets. Each ventilation unit has its own separate thermostat which enables a better regulation of the excess heat dissipation.

Assembly of the ventilating units to the door is similar to the installation into a ceiling or into a base of the cabinet. The door is equipped with an opening in which you can fit the ventilating unit into and then fasten it simply in four points. Moreover, the unit is secured by four self-tapping screws which strengthen the mounting and the door gains the required toughness this way.

The number of the assembly holes is given by the door's height. Therefore, one for 15U and 18U, two for 22U and 27U and three assembly holes for 32U, 37U, 42U and 45U. You can order the door with the assembly holes for fan units by entering letter I for the left and J for the right door on the sixth position of the order code, e.g. RMA-15-I66-CAX-A1.

The active door provides a cool air supply to the device. For the maximum ventilation effectivity it is necessary to fit the rear part of the cabinet with the perforated door, e.g. RMA-15-I66-CAX-A1-MAA.



RAC-DV-A07-X1

Type	Unit	A (mm)	B (mm)	Openings*
RAX-DV-A01-X1	15	675	600	1
RAX-DV-A02-X1	18	807	600	1
RAX-DV-A03-X1	22	985	600	2
RAX-DV-A04-X1	27	1205	600	2
RAX-DV-A05-X1	32	1430	600	3
RAX-DV-A06-X1	37	1655	600	3
RAX-DV-A07-X1	42	1875	600	3
RAX-DV-A08-X1	45	2010	600	3
RAX-DV-A09-X1	15	675	800	1
RAX-DV-A10-X1	18	807	800	1
RAX-DV-A11-X1	22	985	800	2
RAX-DV-A12-X1	27	1205	800	2
RAX-DV-A13-X1	32	1430	800	3
RAX-DV-A14-X1	37	1655	800	3
RAX-DV-A15-X1	42	1875	800	3
RAX-DV-A16-X1	45	2010	800	3

* Openings for a fan

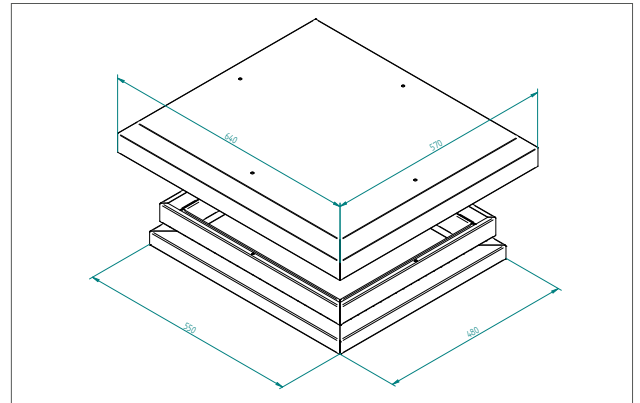
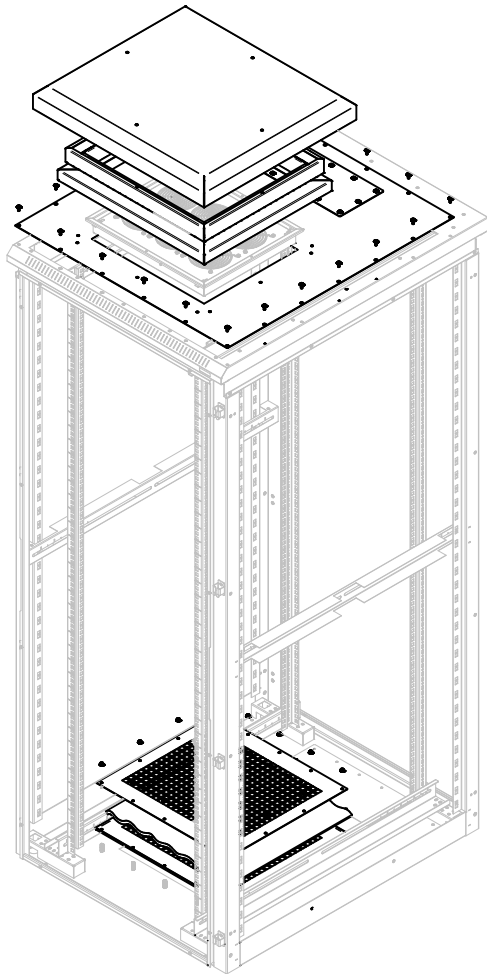


RAC-ZP-X21-X1

■ RAB-ZP-X21-X1, RAC-ZP-X21-X1

Blanking panel for doors with ventilation units (optional accessories - not included)

IP5x fan unit cover

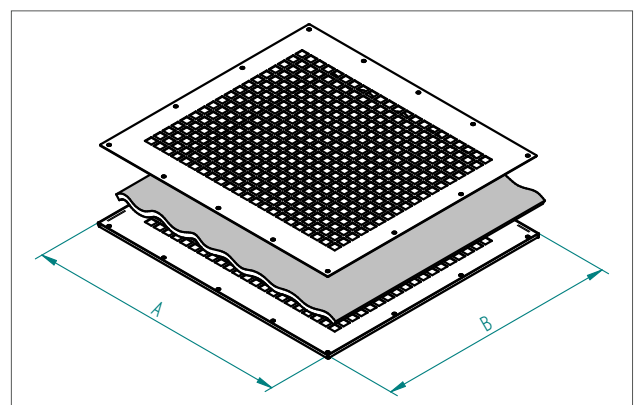
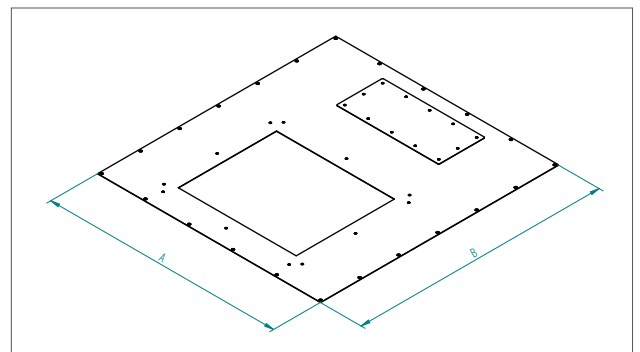


RAB-RV-V66-X1, RAC-RV-V66-X1
IP5x fan unit cover

The unique cover of the standard fan unit allows its use even on cabinets with high IP protection (RIE, RPE, RDE). The cover prevents water and dust from entering the cabinet (dust when the fan is running). It is necessary to combine it with the appropriate Adapter for mounting the fan unit according to the cabinet width and depth and the top roof fan unit with the capacity according to the needs of the installed equipment.

RAC-RV-Xxy-XV, RAB-RV-Xxy-XV
Adapter for fan unit installation

The adapter is used for mounting a standard top roof Triton fan unit on racks with high IP protection. The IP5x fan unit cover is then mounted on this adapter. Along with the adapter, a filter is supplied to the base of the cabinet for clean air access. When using this kit we recommend installing the cabinet on the base.



Type	Cabinet with and depth (mm)
RAx-RV-X66-XV	600 x 600
RAx-RV-X68-XV	600 x 800
RAx-RV-X61-XV	600 x 1000

Type	Cabinet with and depth (mm)
RAx-RV-X88-XV	800 x 800
RAx-RV-X81-XV	800 x 1000

For High-IP cabinets 1000-1200mm deep the same adapter is used.