

# Power distribution 230 V – overview

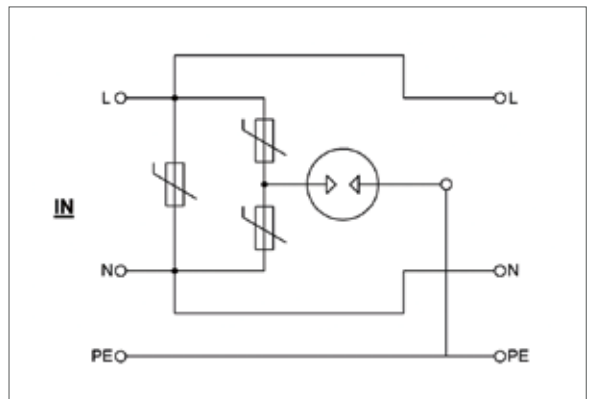
Part no	Height	Width	Depth	Socket				Power input		Switch	Power indicator	Varistor surge protection	Circuit breaker 2 x 16 A	Note	
				ČSN 16 A	DE 16 A	IEC320 C13 10 A	IEC320 C19 16 A	Cable	Plug						
RAB-PD-X01-A1	1U	19"	1U	8 x				2m 3 x 1,5 mm	CZ-DE Universal						
RAB-PD-X03-A1	1U	19"	1U	8 x				2m 3 x 1,5 mm	CZ-DE Universal						
RAB-PD-X05-A1	1U	19"	1U	8 x				2m 3 x 1,5 mm	CZ-DE Universal						
RAB-PD-X07-A1	1U	19"	1U	8 x				2m 3 x 1,5 mm	CZ-DE Universal						
RAB-PD-X11-A1	1U	19"	1U	7 x				2m 3 x 1,5 mm	CZ-DE Universal						
RAB-PD-X02-A1	1U	19"	1U		8 x			2m 3 x 1,5 mm	CZ-DE Universal						
RAB-PD-X04-A1	1U	19"	1U		8 x			2m 3 x 1,5 mm	CZ-DE Universal						
RAB-PD-X06-A1	1U	19"	1U		8 x			2m 3 x 1,5 mm	CZ-DE Universal						
RAB-PD-X08-A1	1U	19"	1U		8 x			2m 3 x 1,5 mm	CZ-DE Universal						
RAB-PD-X12-A1	1U	19"	1U		7 x			2m 3 x 1,5 mm	CZ-DE Universal						
RAB-PD-X09-A1	1U	19"	1U			14 x		2m 3 x 1,5 mm	IEC320 C14						
RAB-PD-X10-A1	1U	19"	1U			14 x			IEC320 C14					Plug IEC320 C14 is on the PDU, w/o cable	
RAB-PD-X51-X1	1274 mm	1U	1U	24x				2m 3 x 2,5 mm	IEC 60309 16A						
RAB-PD-X52-X1	1281 mm	1U	1U			20 x	4 x	3m 3 x 6,0 mm	IEC 60309 32A						Each circuit breaker protects one group covering 10 x IEC320 C13 + 4 x IEC320 C19
RAB-PD-X53-X1	1281 mm	1U	1U			20 x	4 x	3m 3 x 6,0 mm	IEC 60309 32A						Each circuit breaker protects one group covering 10 x IEC320 C13 / anti-fall model/ + 4x IEC320 C19
RAB-PD-X90-C1	1U	10"	1U	4 x				2m 3 x 1,5 mm	CZ-DE Universal						
RAB-PD-X91-C1	1U	10"	1U		4 x			2m 3 x 1,5 mm	CZ-DE Universal						

## Surge protection – Varistor protection against pulse overvoltage

Classification in compliance with norms: ČSN EN 61643-11 type 3  
IEC 61643-1 class III  
VDE 0675-6 class D

Surge protection protects the connected devices against pulse overvoltage using varistors, which resistance falls with increasing voltage.

Rating voltage	250 V AC 50/60 Hz
Maximum persist working voltage	300 V AC
Standard discharge current (8/20µs)	5 kA
Nominal discharge current (8/20 µs)	10 kA
Residual voltage (8/20 µs)	< 1000 V
Response time	< 25 ns
Maximum working current	16 A



## Power distribution 230 V



RAB-PD-X01-A1

### ■ RAB-PD-X01-A1

19" distribution panel 1U, 8 sockets ČSN standard, max. 16 A, cable 3 x 1.5 mm x 2 m long, DIN49441 16 A plug, RAL 9005.

#### Supply

Screw M6 x 16 with washer ..... 2x  
 Captive nut M6 ..... 2x



RAB-PD-X02-A1

### ■ RAB-PD-X02-A1

19" distribution panel 1U, 8 sockets DIN standard, max. 16 A, cable 3 x 1.5 mm x 2 m long, DIN49441 16 A plug, RAL 9005.

#### Supply

Screw M6 x 16 with washer ..... 2x  
 Captive nut M6 ..... 2x



RAB-PD-X03-A1

### ■ RAB-PD-X03-A1

19" distribution panel 1U, 8 sockets ČSN standard, max. 16 A, cable 3 x 1.5 mm x 2 m long, DIN49441 16 A plug, lighted master switch with plastic cover, RAL 9005.

#### Supply

Screw M6 x 16 with washer ..... 2x  
 Captive nut M6 ..... 2x



RAB-PD-X04-A1

### ■ RAB-PD-X04-A1

19" distribution panel 1U, 8 sockets DIN standard, max. 16 A, cable 3 x 1.5 mm x 2 m long, DIN49441 16 A plug, lighted master switch with plastic cover, RAL 9005.

#### Supply

Screw M6 x 16 with washer ..... 2x  
 Captive nut M6 ..... 2x



RAB-PD-X05-A1

### ■ RAB-PD-X05-A1

19" distribution panel 1U, 8 sockets ČSN standard, max. 16 A, cable 3 x 1.5 mm x 2 m long, DIN49441 16 A plug, power indicator, RAL 9005.

#### Supply

Screw M6 x 16 with washer ..... 2x  
 Captive nut M6 ..... 2x



RAB-PD-X06-A1

### ■ RAB-PD-X06-A1

19" distribution panel 1U, 8 sockets DIN standard, max. 16 A, cable 3 x 1.5 mm x 2 m long, DIN49441 16 A plug, power indicator, RAL 9005.

#### Supply

Screw M6 x 16 with washer ..... 2x  
 Captive nut M6 ..... 2x



RAB-PD-X07-A1

**RAB-PD-X07-A1**

19" distribution panel 1U, 8 sockets ČSN standard, max. 16 A, cable 3 x 1.5 mm x 2 m long, DIN49441 16 A plug, Varistor surge protection, RAL 9005.

**Supply**

- Screw M6 x 16 with washer ..... 2x
- Captive nut M6 ..... 2x



RAB-PD-X08-A1

**RAB-PD-X08-A1**

19" distribution panel 1U, 8 sockets DIN standard, max. 16 A, cable 3 x 1.5 mm x 2 m long, DIN49441 16 A plug, Varistor surge protection, RAL 9005.

**Supply**

- Screw M6 x 16 with washer ..... 2x
- Captive nut M6 ..... 2x



RAB-PD-X09-A1

**RAB-PD-X09-A1**

19" distribution panel 1U, 14 sockets IEC320, max. 10 A, cable 3 x 1.5 mm x 2 m long, IEC320 C14 10 A plug, power indicator, RAL 9005.

**Supply**

- Screw M6 x 16 with washer ..... 2x
- Captive nut M6 ..... 2x



RAB-PD-X10-A1

**RAB-PD-X10-A1**

19" distribution panel 1U, 14 sockets IEC320, max. 10 A, w/o cable, IEC320 C14 input, RAL 9005.

**Supply**

- Screw M6 x 16 with washer ..... 2x
- Captive nut M6 ..... 2x



RAB-PD-X11-A1

**RAB-PD-X11-A1**

19" distribution panel 1U, 7 sockets ČSN standard, max. 16 A switch, surge protection, cable 3 x 1.5 mm x 2 m, DIN49441 16A plug, FLEX, lighted master switch with plastic cover, RAL 9005.

**Supply**

- Screw M6 x 16 with washer ..... 2x
- Captive nut M6 ..... 2x



RAB-PD-X12-A1

**RAB-PD-X12-A1**

19" distribution panel 1U, 7 sockets DIN standard, max. 16 A switch, surge protection, cable 3 x 1,5 mm x 2 m, DIN49441 16 A plug, FLEX, lighted master switch with plastic cover, RAL 9005.

**Supply**

- Screw M6 x 16 with washer ..... 2x
- Captive nut M6 ..... 2x



RAB-PD-X51-X1

**■ RAB-PD-X51-X1**

Vertical distribution panel, 24 sockets ČSN standard, max. 16 A, cable 3 x 1.5 mm x 2 m long, IEC60309 plug, surge protection, Varistor surge protection, RAL 9005.

**Supply**

- Screw M6 x 16 with washer ..... 2x
- Captive nut M6 ..... 2x



RAB-PD-X52-X1

**■ RAB-PD-X52-X1**

Vertical distribution panel, 20 sockets IEC320 C13, 4 sockets IEC320 C 19. 2 x 16 A master air circuit breaker, max. 32 A, cable 3 x 6.0 mm x 3 m long, IEC60309 plug, RAL 9005.

**Supply**

- Screw M6 x 16 with washer ..... 2x
- Captive nut M6 ..... 2x



RAB-PD-X53-X1

**■ RAB-PD-X53-X1**

Vertical distribution panel, 20 sockets IEC320 C13 (anti-fall), 4 sockets IEC320 C 19. 2 x 16 A master air circuit breaker, max. 32A, cable 3 x 6.0 mm x 3 m long, IEC60309 plug, RAL 9005.

**Supply**

- Screw M6 x 16 with washer ..... 2x
- Captive nut M6 ..... 2x



RAB-PD-X90-C1

**■ RAB-PD-X90-C1**

10" distribution panel, 4 sockets ČSN standard, max. 16 A, cable 3 x 1.5 mm x 2 m long, DIN49441 16 A plug, RAL 9005.

**Supply**

- Screw M6 x 16 with washer ..... 2x
- Captive nut M6 ..... 2x



RAB-PD-X91-C1

**■ RAB-PD-X91-C1**

10" distribution panel, 4 sockets DIN standard, max. 16 A, cable 3 x 1.5 mm x 2 m long, DIN49441 16 A plug, indicator light, RAL 9005.

**Supply**

- Screw M6 x 16 with washer ..... 2x
- Captive nut M6 ..... 2x



**■ Intelligent power distribution panels**

Amount and configuration of sockets, measured values and level of management is always carried out according to the customer's specification.

Please contact your business partner for more information.

These panels are primarily designed for installation in the skeleton of RTA / RYA / RDA cabinets. Depending on the type of management, it is possible to measure and monitor various electrical values, eventually temperature, humidity, etc.

Superior versions of the panels then allow remote control of individual sockets or entire panels, messaging and other functions.

A standard communication is via IP protocol, SNMP, built-in web interface and is possible to integrate them into building management systems.



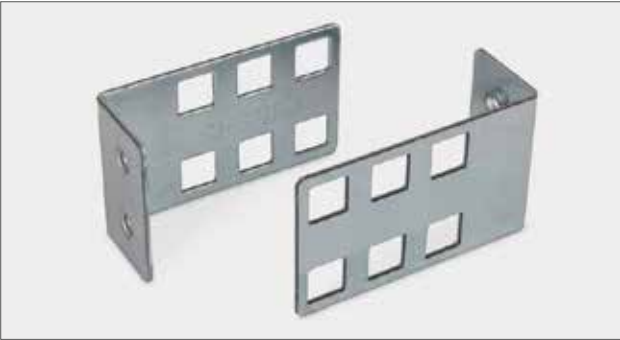
### ■ RAX-DR-X11-X1

PDU holder 1U for cabinet skeleton (pair). For cabinets RTA, RYA, RDA, RDE, RSX, RSX-F.



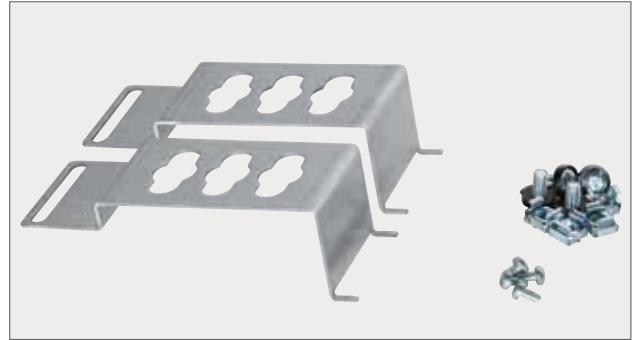
### ■ RAX-DR-X12-X1

PDU holder 2U for cabinet skeleton (pair). For cabinets RTA, RYA, RDA, RDE, RSX, RSX-F.



### ■ RAX-DR-X13-X1

PDU holder 1U for vertical rail side mount. (pair). For cabinets RMA, RZA, RTA-1200, RYA-1200.



### ■ RAX-DR-X17-X1

PDU with button style mounting holder 2U for cabinet skeleton (pair). For cabinets RTA, RYA, RDA, RDE, RSX, RSX-F.