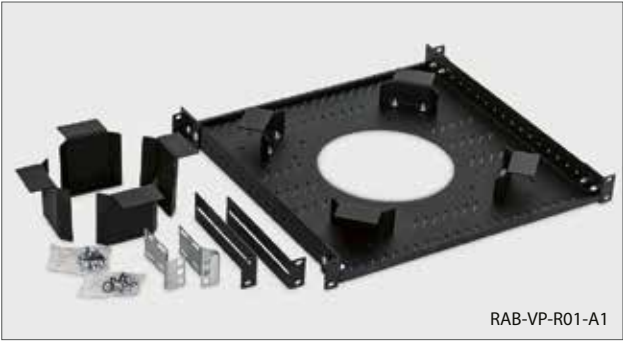


Cable reserve holder



RAB-VP-R01-A1

■ RAB-VP-R01-A1, RAC-VP-R01-A1

Cable reserve holder is designed to store and protect especially metallic and optic installation cables inside the cabinet. There are two ways of installation of the cable reserve holder into the cabinet:

- vertically (10U) on the 19" vertical rails (usually on the back side of the cabinet)
 - horizontally between the vertical rails as the classic shelf
- Support mandrels, which are mounted around the centre hole, provide bending radius and prevent damage of the stored cables.

Package contains

cable reserve mounting plate	1x
support mandrel – height 1 U	4x
support mandrel – height 2 U	4x
short mounting holder	4x



long mounting holder	2x
central vertical rail holder for 19" accessories	2x
mounting kit (1 set includes 4 pcs of cage nut M6, 4 pcs of screw M6x12)	2x

Other



RAX-MO-X09-X1

■ RAX-MX-XXX-X1

Installation kit.

RAX-MO-X03-X1

– Basic packet of components for fixing of device into a cabinet or a frame. It contains a captive nut – 50x, a screw – 50x, plastic washer – 50x.

RAX-MO-X09-X1

– Basic packet of components for fixing of device into a cabinet or a frame. It contains a captive nut – 20x, a screw – 20x, plastic washer – 20x.

RAX-MS-X19-X1

– Basic packet of components for fixing of device into a cabinet or a frame. It contains a captive nut – 4x, a screw – 4x, plastic washer – 4x.